



PV型优先阀

PV Type Priority Valves

PV**-40、60、80型 优先阀和负荷传感型转向器配套使用，当系统主油路的油泵供来的液压油通过优先阀时，在系统负载变化或方向盘转速变化的情况下，优先保证转向油路所需流量。

PVF*-40、60、80 型优先阀为板式连接方式，与101S-5(L)(E)或102S-5(L)(E) 转向器组合成一体使用；PVF*-40、60、80优先阀分为静态信号PVFS-40、60、80和动态信号PVFD-40、60、80；

PVL*-40、60、80型 优先阀为管式连接方式，与101(S)-5T(TE) 或102(S)-5T(TE)转向器连接使用；PVL*-40、60、80分为静态信号PVLS-40、60、80和动态信号PVLD-40、60、80。

PV**-40、60、80 型 优先阀中不含LS口油路安全阀。

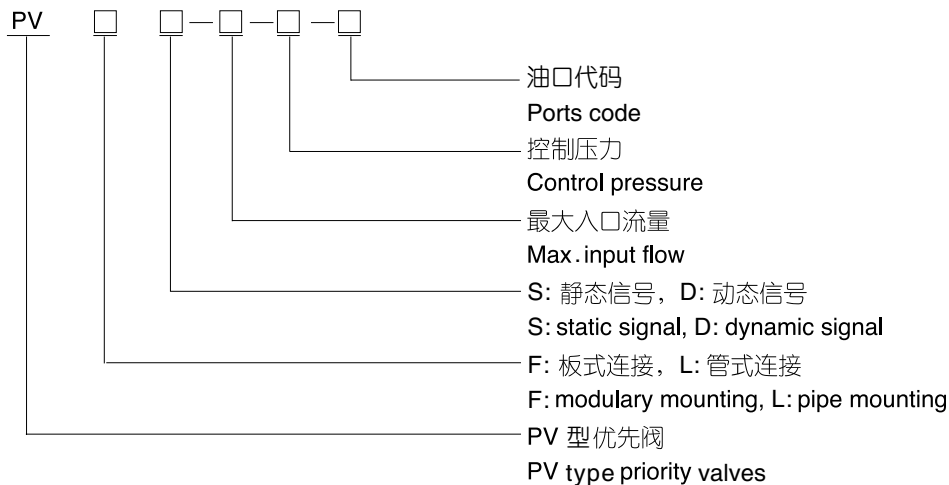
PV**-40,60,80 type priority valve is matched with the load sensing steering unit. When the hydraulic oil flow to the priority valve , and the load or revolution changed ,

PVF*-40,60,80 type priority valves is modular design. matched with the 101S-5(L)(E) or 102(S)-5(L)(E)SCU; PVF*-40,60,80 priority valve has 2 kind signals: PVFS-40,60,80 static signal,PVFD-40,60,80 dynamic signals.

PVL*-40,60,80 type priority valve is pipe design , matched with the 101(S)-5T(TE) or 102(S)-5T(TE) SCU, PVL*-40,60,80 type priority valve has 2 kind signals: PVLS-40,60,80 static signal,PVLD-40,60,80 dynamic signals.

PV**-40,60,80 type priority valve is not interchanged with the LS inlet pressure control relief valve, the relief valve integrated in the SCU.

型号说明 Order Code

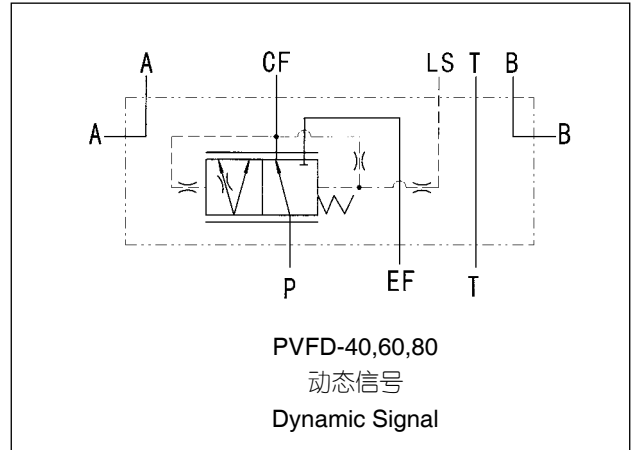
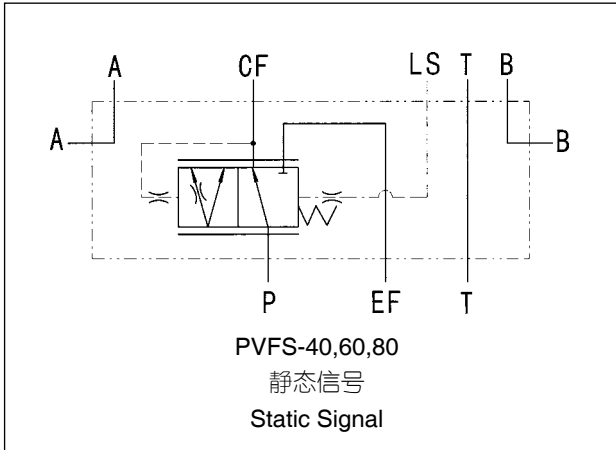




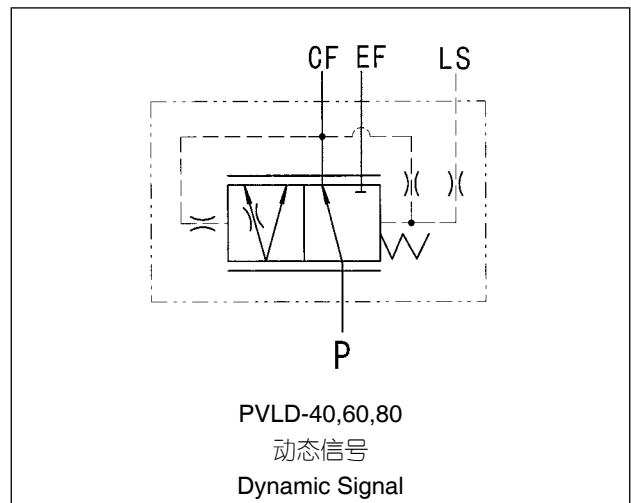
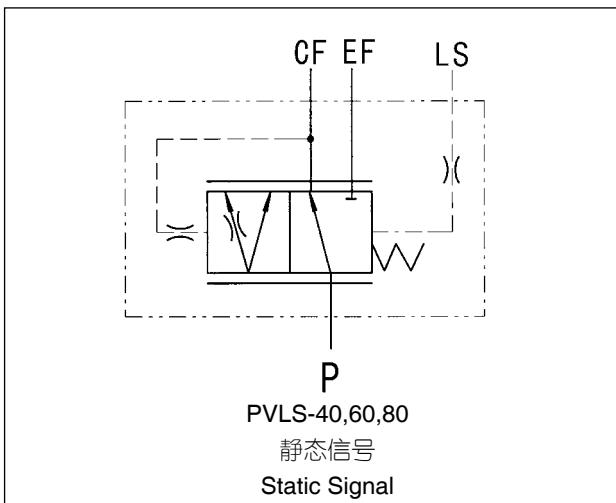
PV型优先阀

PV Type Priority Valves

功能符号 Function Code



板式连接 Modularity Mounting



管式连接 Pipe Mounting

主要技术参数 Main Specification

Parameters	Type PVFS(D) , PVLS(D)
Max. Input Flow (L/min)	40,60,80
Control Pressure (MPa)	0.45, 0.7, 1.05
Max. Pressure in Oil: P, EF (MPa)	20
Max. Pressure in Oil: LS, CF (MPa)	16

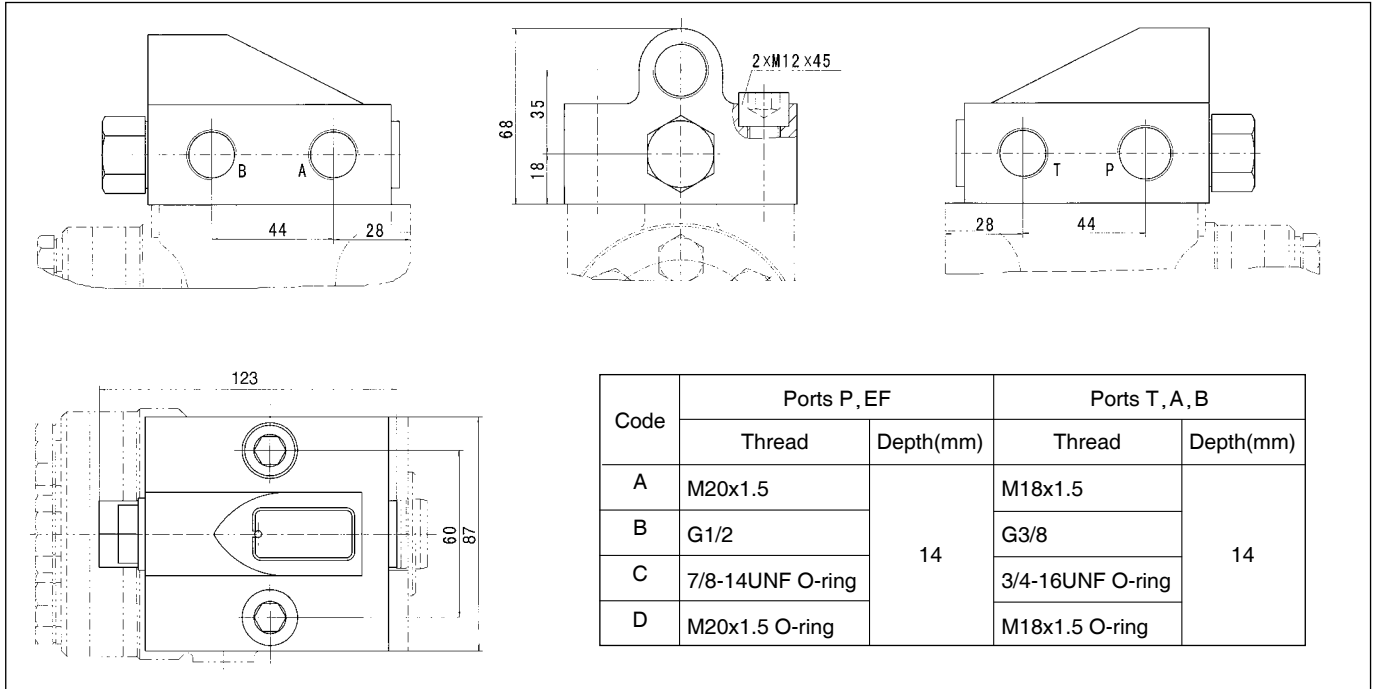


PV型优先阀

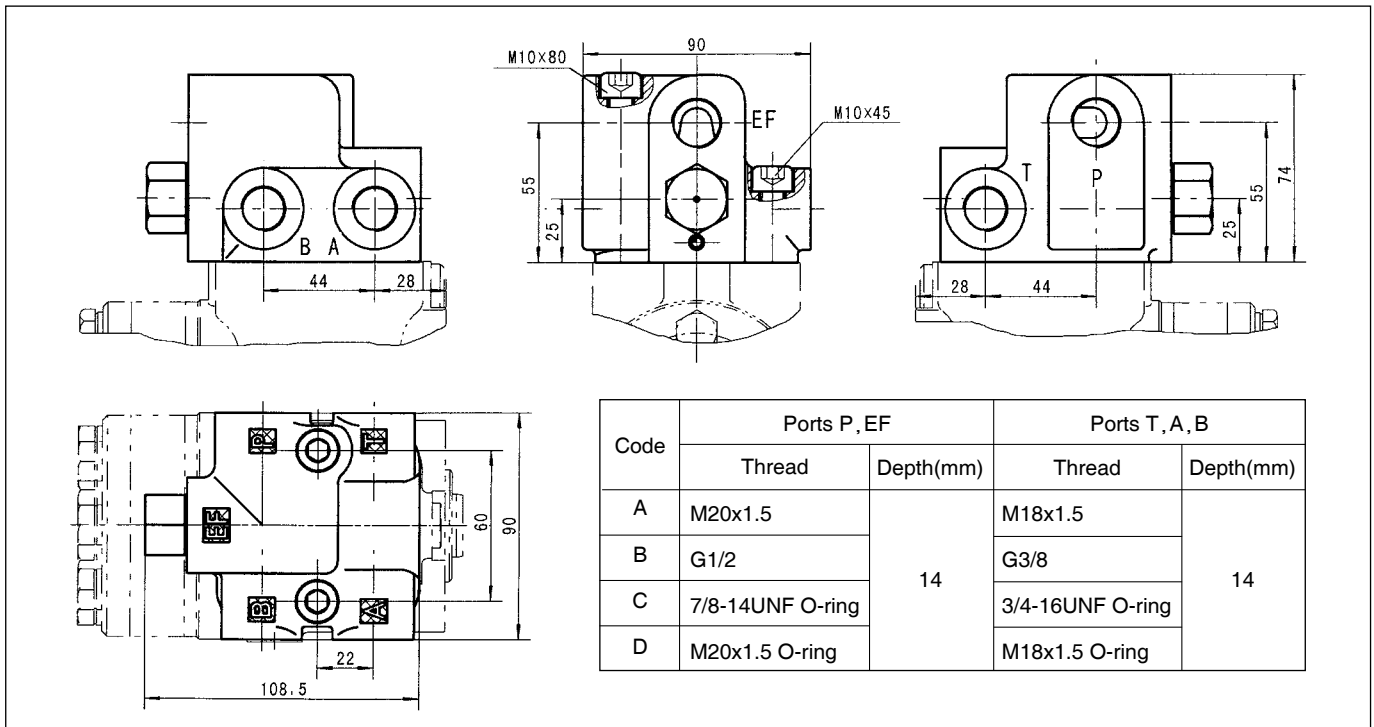
PV Type Priority Valves

连接尺寸 Mounting Data

PVFS(D)-40、60



PVFaS(D)-60



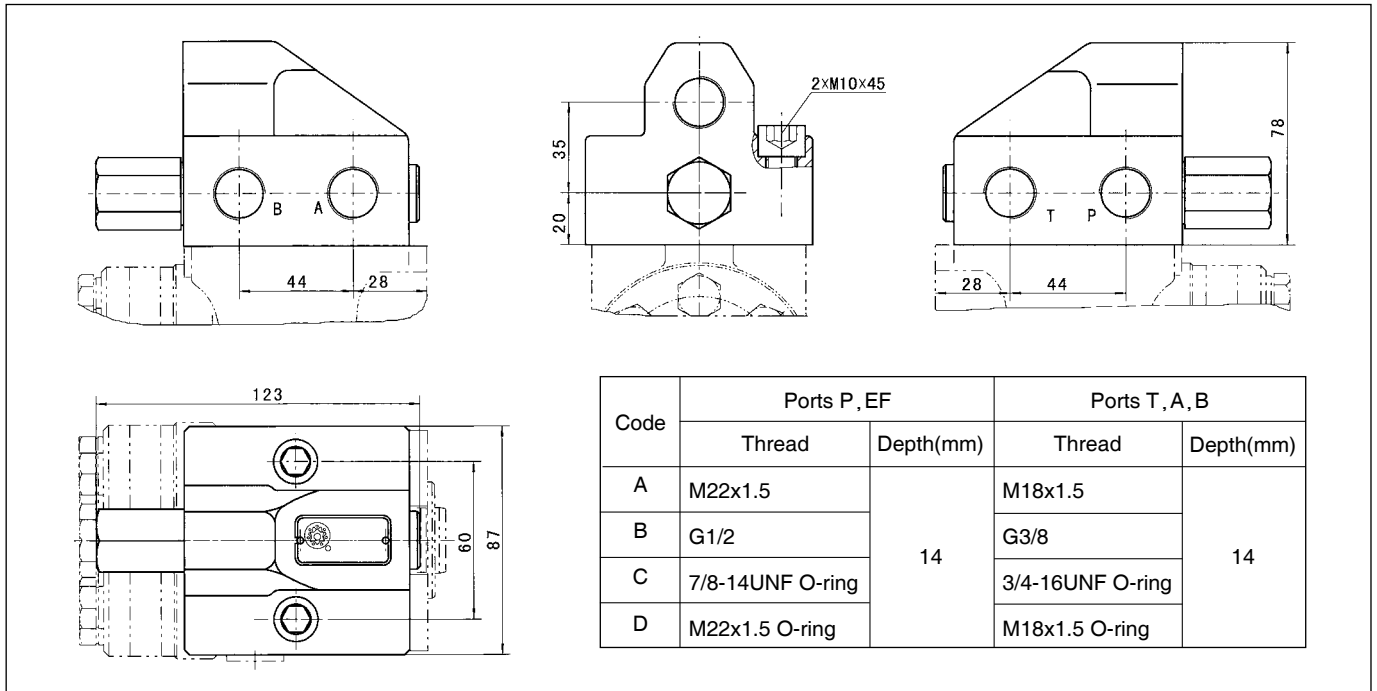


PV型优先阀

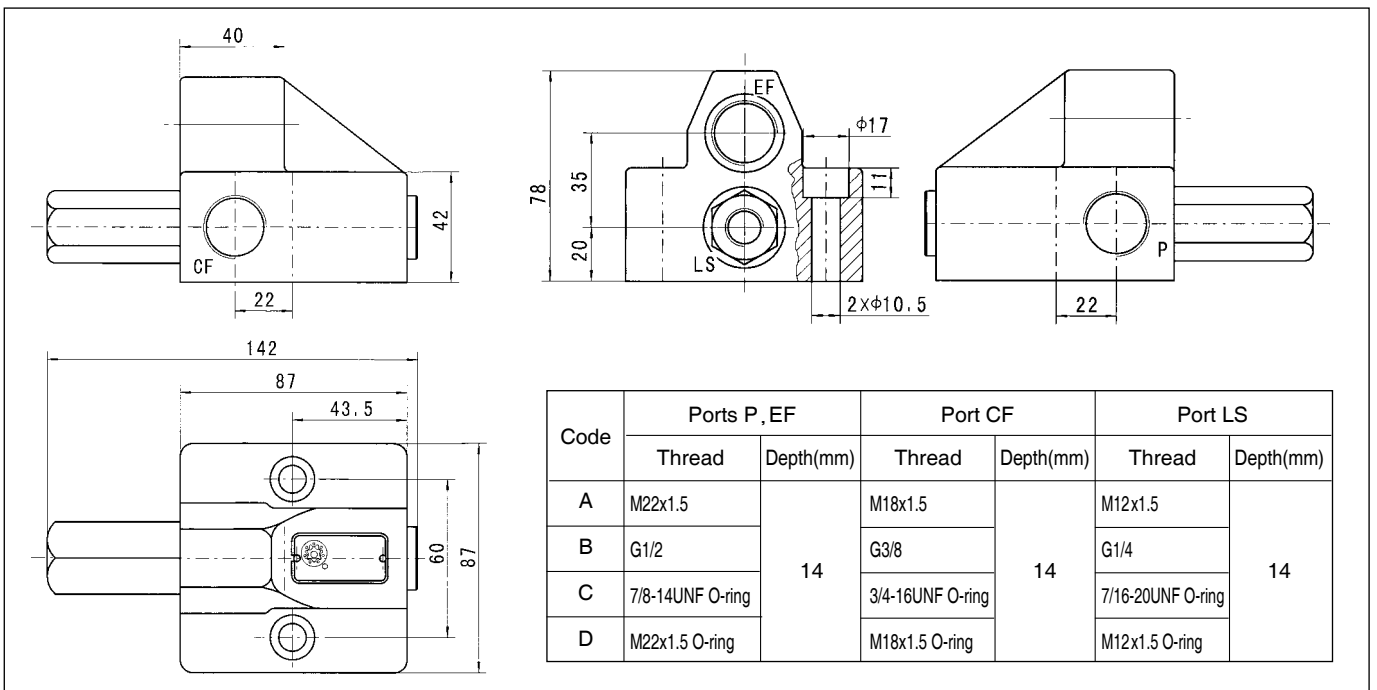
PV Type Priority Valves

连接尺寸 Mounting Data

PVFS(D)-80



PVLS(D)-80





PV型优先阀

PV Type Priority Valves

产品订货编号 Order Code

	Pos.1	Pos.2		Pos.3		Pos.4		Pos.5
PV	*	*	-	**	-	***	-	*

Pos.1 - 连接方式 Mounting

其中: F:板式连接 F:Modulary Mounting
L:管式连接 L:Pipe Mounting

Pos.2 - 信号型式 Signal Model

其中: S:静态信号 S:Static Signal
D:动态信号 D:Dynamic Signal

Pos.3 - 最大入口流量 Max.Input Flow (L/min)

40、60、80

Pos.4 - 控制压力 Control Pressure (MPa)

0.45、0.7、1.05

Pos.5 - 油口代码 Ports Code

A、B、C、D

应用举例:

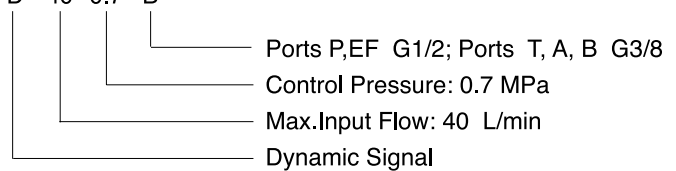
PV 型优先阀, 板式连接, 动态信号,
最大入口流量40 L/min, 控制压力 0.7
MPa, 油口连接尺寸: P、EF油口为G1/2,
T、A、B油口为G3/8。

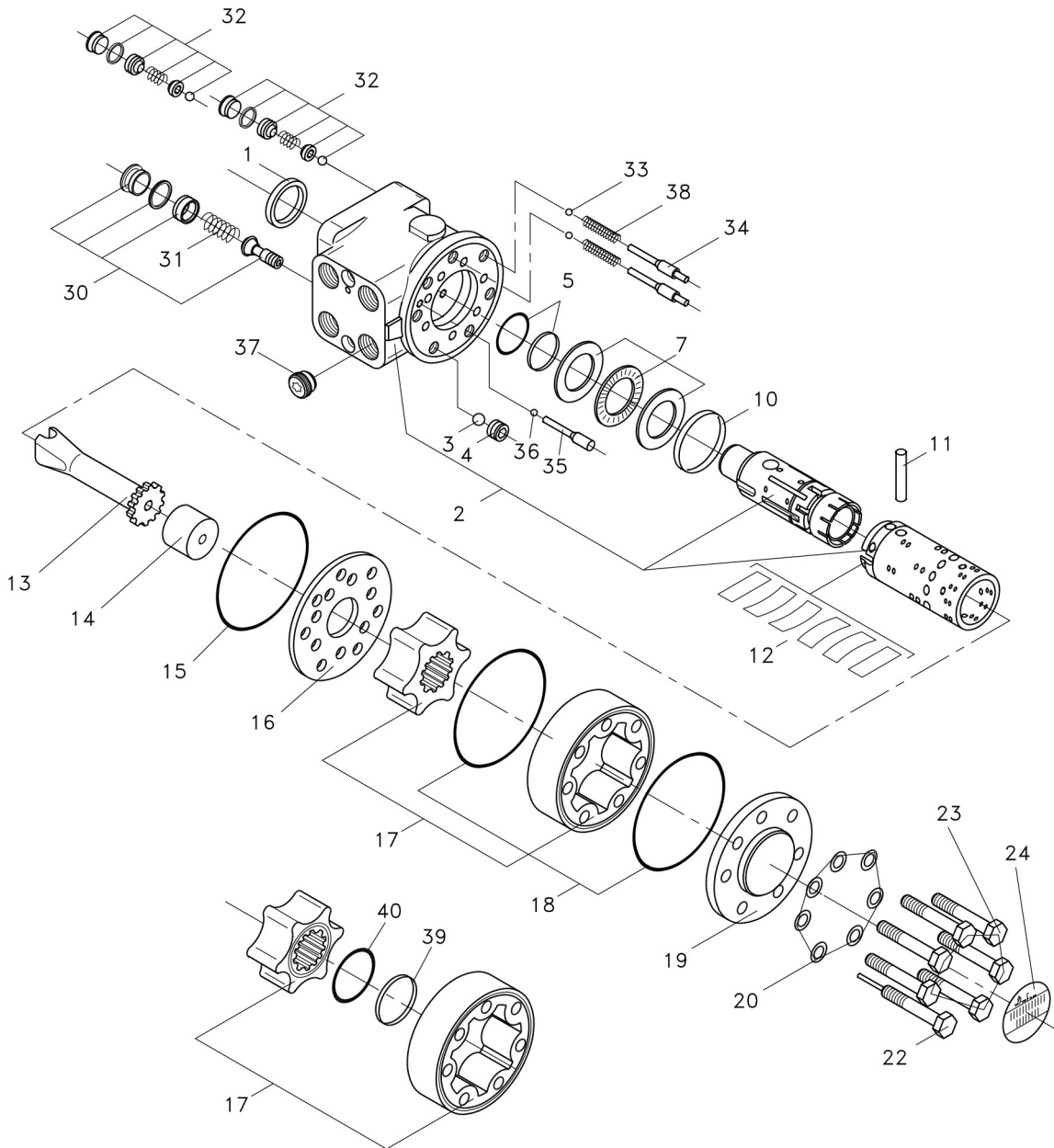
优先阀订货编号为: PVFD-40-0.7-B

For example:

Order code

PVFD - 40 - 0.7 - B

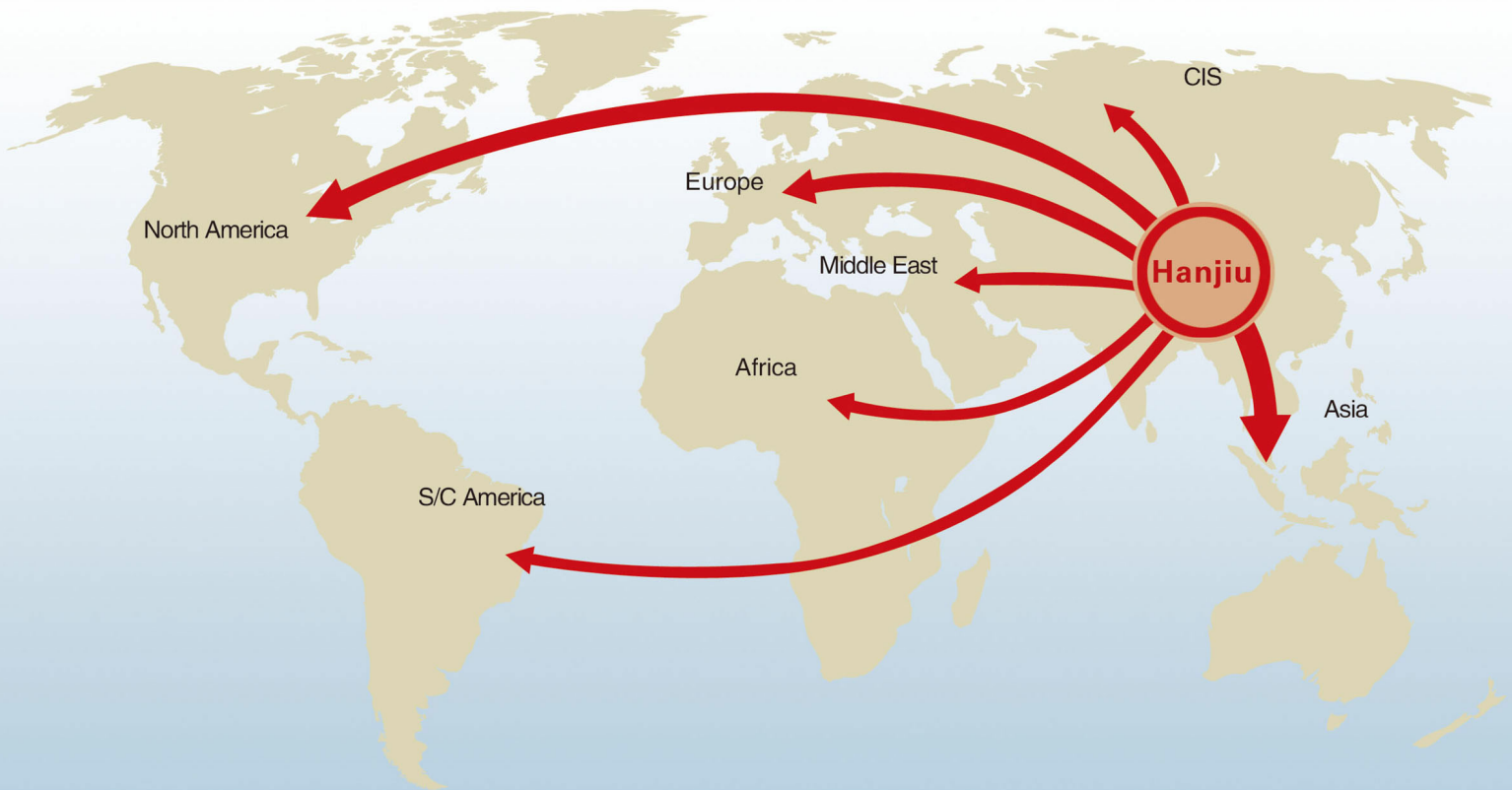




- | | | |
|---|----------------------|---------------------------|
| 1 Dust seal ring | 14 Spacer | 24 Name plate |
| 2 Housing, spool and sleeve.
Check valve and the seats for relief
and shock valves are locktited. | 13 Cardan shaft | 30 Complete relief valve |
| 3 Ball 8.5 mm [0.33 in] | 12 Set of springs | 31 Spring wire |
| 4 Thread bushing | 15 O-ring | 32 Complete shock valve |
| 5 O-ring used with kin-ring (item 6) | 16 Distributor plate | 33 Ball $\frac{3}{16}$ in |
| 6 Kin-ring | 17 Gearwheel set | 34 Rolled pin |
| 7 Bearing assembly | 18 O-ring | 36 Bushing |
| 10 Ring | 19 End cover | 35 Ball |
| 11 Cross pin | 20 Washer | 39 Kin ring |
| | 22 Special screw | 40 O-ring |
| | 23 Screw | |

专业做液压-专注做精品

PROFESSIONAL ON HYDRAULIC- FOCUS ON HIGH QUALITY



石家庄寒九科技有限公司

地址：中国河北石家庄友谊北大街368号

电话：+86 (311) 68123061

传真：+86 (10) - 80115555-568844

邮编：050000

网址：www.hjhydraulic.com

邮箱：manager@sjzhjism.com

SHIJIAZHUANG HANJIU TECHNOLOGY CO.,LTD.

Add: No. 368 Youyi Street, Shijiazhuang, Hebei, China

Tel: +86 (311) 68123061

Fax: +86 (10) - 80115555-568844

Post code: 050000

Web: www.hjhydraulic.com

Email: manager@sjzhjism.com